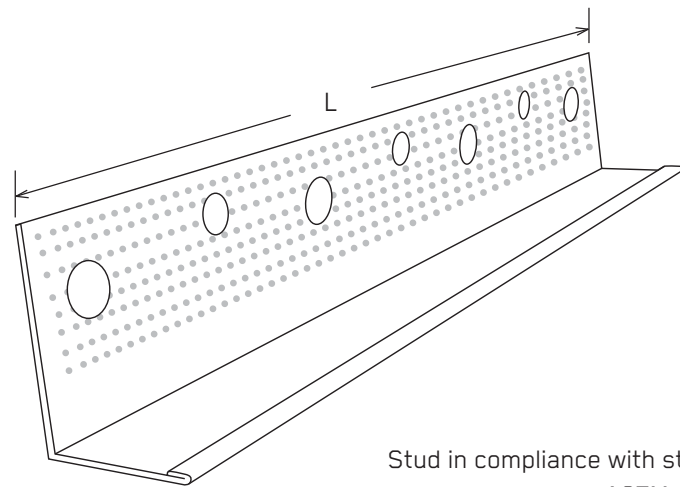
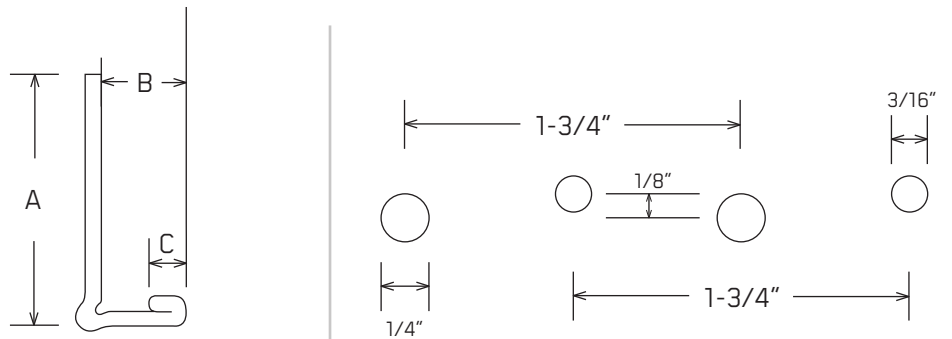




L TRIM

SPECIFICATION SHEET



Stud in compliance with standards:
ASTM C1047-19

LEGEND:

	A	B	C	L	Thickness
ML38	1-1/4"	3/8"	1/8"	10'	13 Mils
ML12	1-1/8"	1/2"	1/8"	10'	13 Mils
ML58	1"	5/8"	1/8"	10'	13 Mils

Edge to 3/16" hole distance = 1/8"
Edge to 1/4" hole distance = 1/4"

PROTECTIVE COATING:

18 Mils = G40

Québec
418-871-8088
800-871-5818
Boucherville
450-655-5100