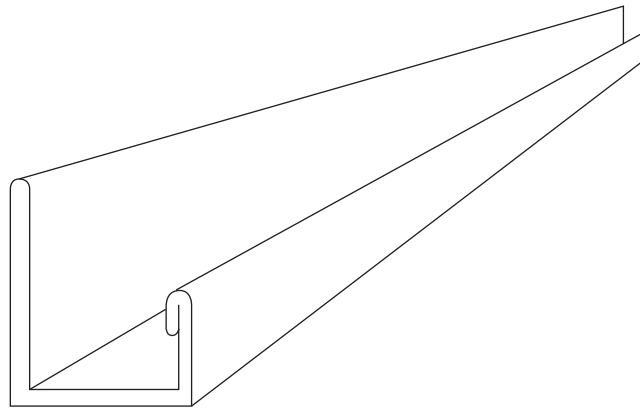
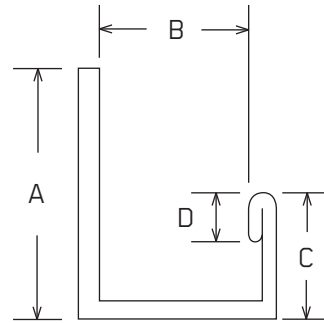




**J TRIM**

# SPECIFICATION SHEET



Stud in compliance with standards:  
ASTM C1047-19

**LEGEND:**

	A	B	C	D
MJ12	1-1/8"	1/2"	1/2"	1/8"
MJ58	1"	5/8"	1/2"	1/8"

**PROTECTIVE COATING:**

18 Mils = G40

Québec  
418-871-8088  
800-871-5818  
Boucherville  
450-655-5100