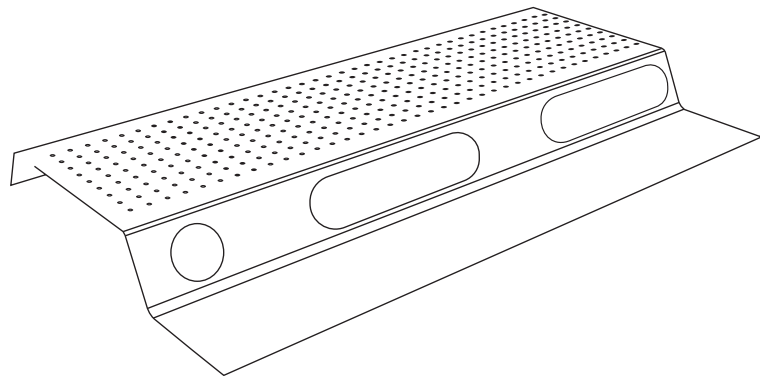
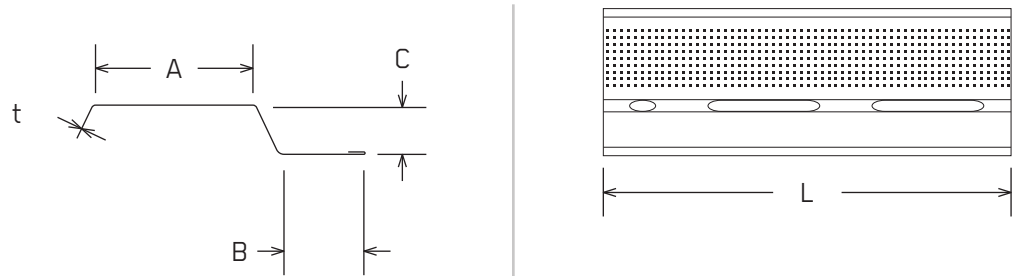




RESILIENT CHANNEL

SPECIFICATION SHEET



LEGEND:

| | | |
|---|---|---------|
| A | = | 1-1/4" |
| B | = | 5/8" |
| C | = | 1/2" |
| L | = | 12' |
| t | = | 18 Mils |

PROTECTIVE COATING:

18 Mils = G40

Québec

418-871-8088

800-871-5818

Boucherville

450-655-5100